

Lecture 14: Discrete Control

[Chapter: Sequential Control + These Slides]

- Discrete Event Systems
- State Machine-Based Formalisms
- Statecharts
- Grafcet
- Laboratory 2
- Petri Nets
- Implementation
 - Not covered in the lecture. Homework.

1

Discrete Event Systems

Definition:

A *Discrete Event System (DES)* is a *discrete-state, event-driven* system, that is its state evolution depends entirely on the occurrence of asynchronous discrete events over time.

Sometimes the name *Discrete Event Dynamic System (DEDS)* is used to emphasize the dynamic nature of DES.

2

DES:

1. The state space is a discrete set.
2. The state transition mechanism is event-driven.
3. The events need **not** to be synchronized by, e.g., a clock.

Continuous systems:

1. Continuous-state systems (real-valued variables)
2. The state-transition mechanism is time-driven.

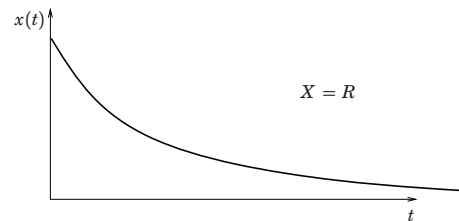
Continuous discrete-time systems $x(k+1) = Ax(k) + Bu(k)$ can be viewed as an event-driven system synchronized by clock events.

3

Continuous System

State trajectory is the solution of a differential equation

$$\dot{x}(t) = f(x(t), u(t), t)$$

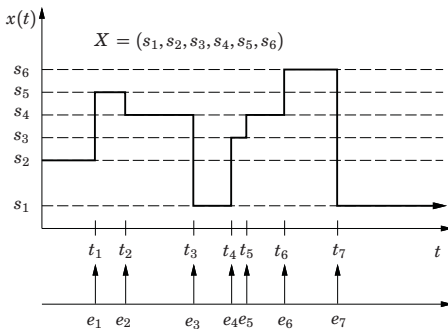


es

4

Discrete Event System

State trajectory (sample path) is piecewise constant function that jumps from one value to another when an event occurs.



5

Discrete Control Systems

All processes contain discrete elements:

- continuous processes with discrete sensors and/or actuators
- discrete processes
 - manufacturing lines, elevators, traffic systems, ...
- mode changes
 - manual/auto, startup/shutdown
 - production (grade) changes
- alarm and event handling

6

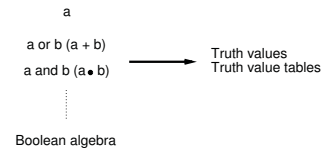
Discrete Logic

- Larger in volume than continuous control
- Very little theoretical support
 - verification, synthesis
 - formal methods beginning to emerge
 - still not widespread in industry

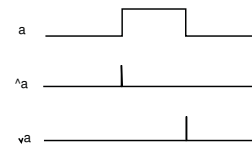
7

Basic Elements

- Boolean (binary) signals – 0, 1, *false, true, a, ā*
- expressions



- events

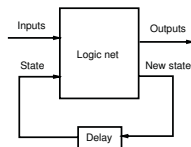


8

Logic Nets

- Combinatorial nets
 - outputs = $f(\text{inputs})$
 - interlocks, "förringlingar"
- Sequence nets
 - newstate = $f(\text{state}, \text{inputs})$
 - outputs = $g(\text{state}, \text{inputs})$
 - state machines
 - automata

Asynchronous nets or synchronous (clocked) nets



9

- Discrete Event Systems
- **State Machine-Based Formalisms**
- Statecharts
- Grafcet
- Laboratory 2
- Petri Nets
- Implementation
 - Not covered in the lecture. Homework.

10

State Machines

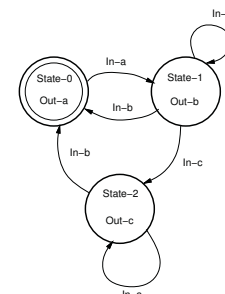
Formal properties \Rightarrow analysis possible in certain cases

Using state machines is often a good way to structure code.

Systematic ways to write automata code often not taught in programming courses.

11

Moore Machine

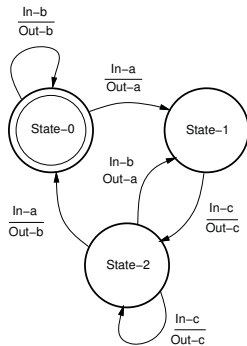


State transitions in response to input events

Output events (actions) associated with states

12

Mealy Machine



Output events (actions) associated with input events

State Machine Extensions

Ordinary state machines lack structure
 Extensions needed to make them practically useful

- hierarchy
- concurrency
- history (memory)

- Discrete Event Systems
- State Machine-Based Formalisms
- **Statecharts**
- Grafcet
- Laboratory 2
- Petri Nets
- Implementation
 - Not covered in the lecture. Homework.

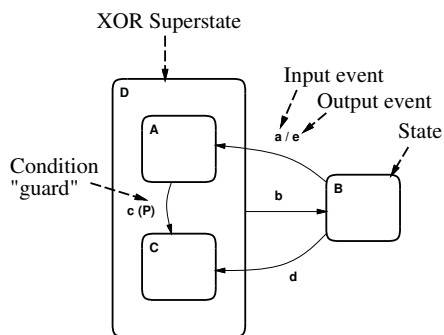
Statecharts

D. Harel, 1987

Statecharts =

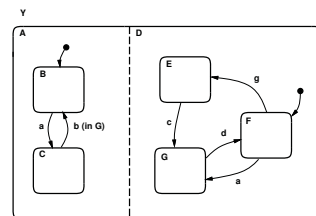
- state machine
- hierarchy
- concurrency
- history

Statechart Syntax



Statecharts Concurrency

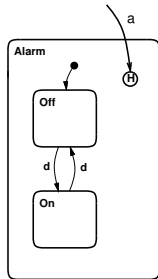
AND Superstates:



Y is the *orthogonal product* of A and D

When in state (B,F) and event **a** occurs, the system transfers *simultaneously* to (C,G).

History Arrows

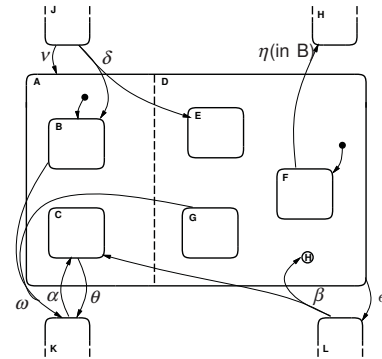


On event 'a' the last visited state within D becomes active.

19

Syntax

Interfaces for AND Superstates:



20

- δ exit from $J \Rightarrow (B, E)$
- α exit from $K \Rightarrow (C, F)$
- ν exit from $J \Rightarrow (B, F)$
- β exit from $L \Rightarrow (C, \text{most recently visited state in } D)$
- ω exit from $(B, G) \Rightarrow K$
- η exit from $(B, F) \Rightarrow H$
- θ exit from $(C, D) \Rightarrow K$
- ϵ exit from $(A, D) \Rightarrow L$

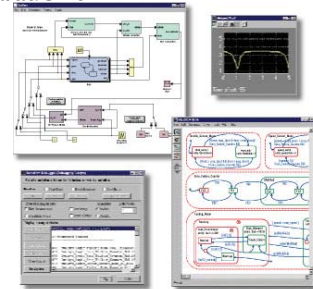
21

Statechart Tools

Statecharts popular for modeling, simulation, and code generation

Used to represent state-transition diagrams in UML tools (Rational/Rose, Rhapsody, ...)

Stateflow for Matlab/Simulink



22

Statechart Semantics

Unfortunately, Harel only gave an informal definition of the semantics

As a result a number of competing semantics were defined.

In 1996, Harel presented his semantics (the StateMate semantics) of Statechart and compared with 11 other semantics.

The lack of a single semantics is still the major problem with Statecharts

Each tool vendor defines his own.

23

- Discrete Event Systems
- State Machine-Based Formalisms
- Statecharts
- **Grafcet**
- Laboratory 2
- Petri Nets
- Implementation
 - Not covered in the lecture. Homework.

24

Grafcet

Extended state machine formalism for implementation of sequence control

Industrial name: Sequential Function Charts (SFC)

Defined in France in 1977 as a formal specification and realization method for logical controllers

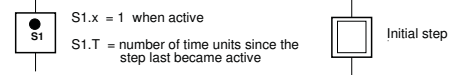
Part of IEC 61131-3 (industry standard for PLC controllers)

25

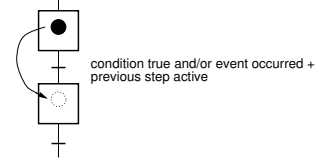
Basic elements

Steps:

- active or inactive



Transitions ("övergång"):

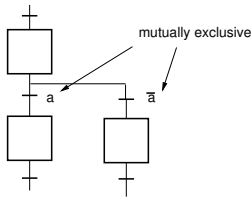


26

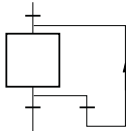
Control structures

Alternative paths:

- branches

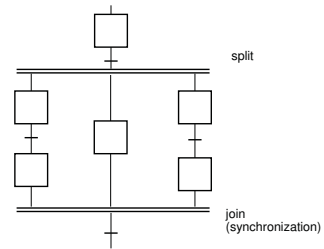


- repetition



27

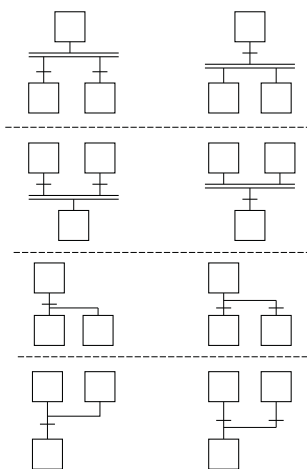
Parallel paths:



28

Illegal Grafcet

Legal Grafcet



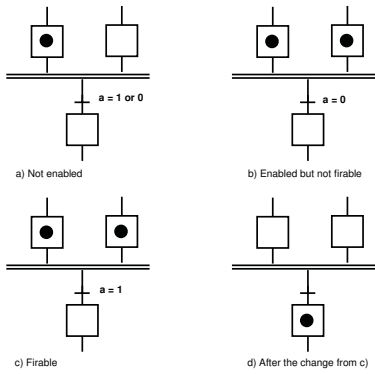
29

Semantics

1. The initial step(s) is active when the function chart is initiated.
2. A transition is fireable if:
 - all steps preceding the the transition are active (enabled).
 - the receptivity (transition condition and/or event) of the transition is true

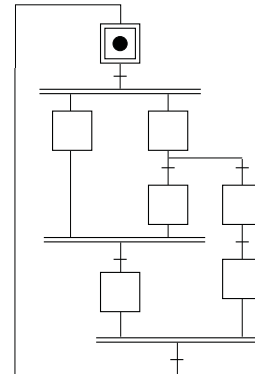
A fireable transition must be fired.
3. All the steps preceding the transition are deactivated and all the steps following the transition are activated when a transition is fired
4. All fireable transitions are fired simultaneously
5. When a step must be both deactivated and activated it remains activated without interrupt

30



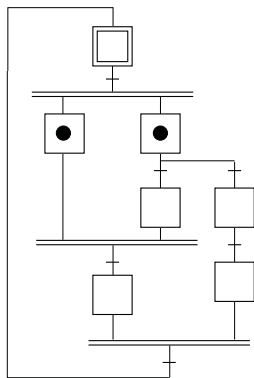
31

Unreachable grafquets



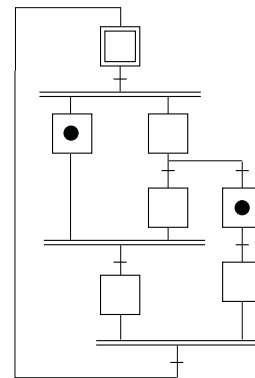
32

Unreachable grafquets



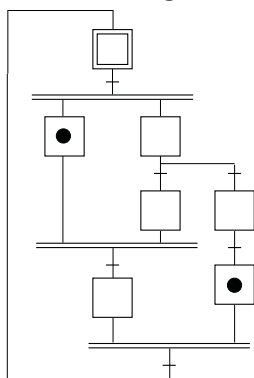
33

Unreachable grafquets



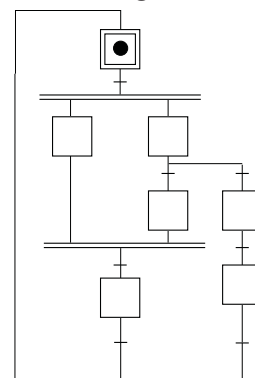
34

Unreachable grafquets



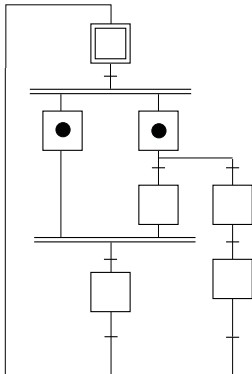
35

Unsafe grafquets



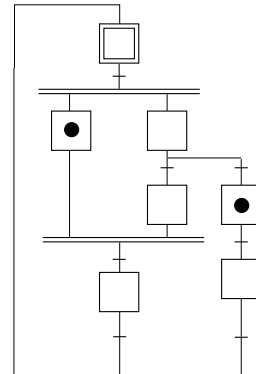
36

Unsafe graficets



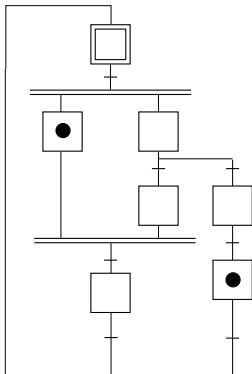
37

Unsafe graficets



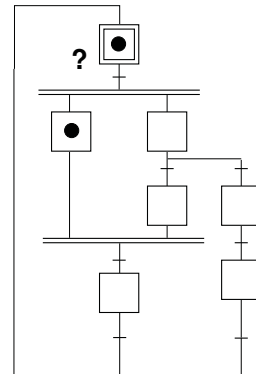
38

Unsafe graficets



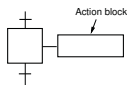
39

Unsafe graficets



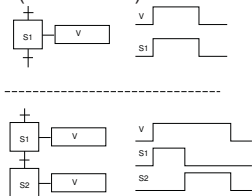
40

Actions



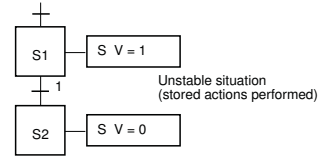
Action types:

- standard action (level action)

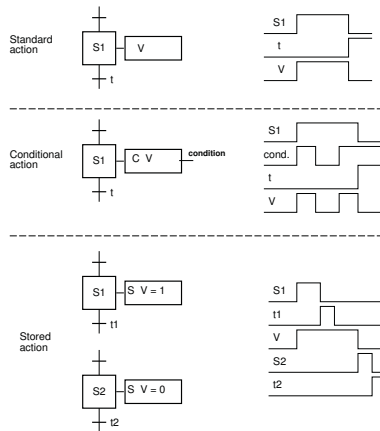


41

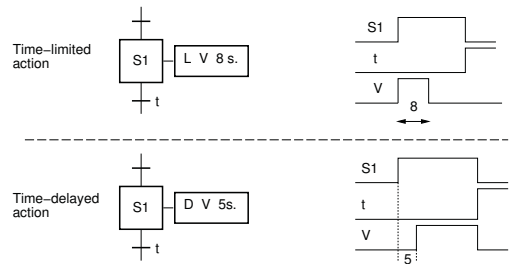
- stored action (impulse action)
logical assignment



42



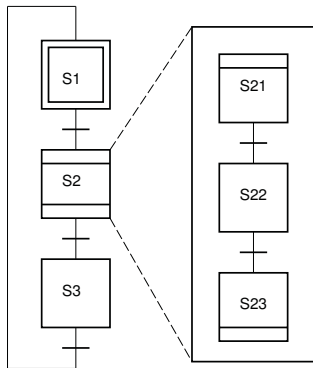
43



44

Hierarchy

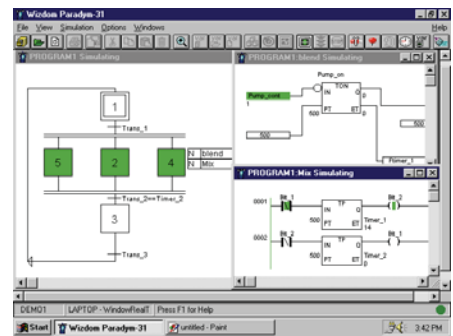
Macro Steps:



45

Grafcet/SFC and IEC-1131 Editors

A large number of graphical IEC 1131-3 editors are available. Generates PLC code or C-code.



46

- Discrete Event Systems
- State Machine-Based Formalisms
- Statecharts
- Grafcet
- **Laboratory 2**
- Petri Nets
- Implementation
 - Not covered in the lecture. Homework.

47

Laboratory 2

Sequential Control

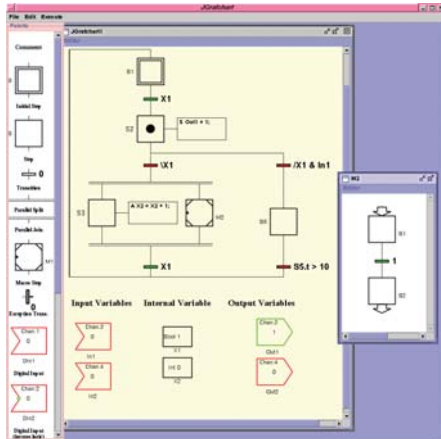
- bead sorter process

JGrafchart - Lund University

- Grafcet/SFC graphical editor
- Grafcet/SFC run-time system

48

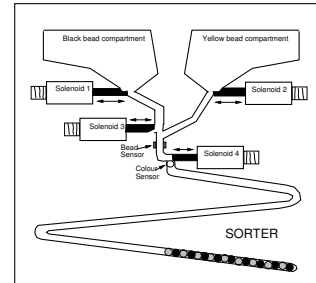
JGrafchart



49

Process

Bead Sorter process



50

- Discrete Event Systems
- State Machine-Based Formalisms
- Statecharts
- Grafcet
- Laboratory 2
- **Petri Nets**
- Implementation
 - Not covered in the lecture. Homework.

51

Petri Nets

C.A Petri, TU Darmstadt, 1962

A mathematical and graphical modeling method.

Describe systems that are:

- concurrent
- asynchronous or synchronous
- distributed
- nondeterministic or deterministic

52

Petri Nets

Can be used at all stages of system development:

- modeling
- analysis
- simulation/visualization ("playing the token game")
- synthesis
- implementation (Grafcet)

53

Application areas

- communication protocols
- distributed systems
- distributed database systems
- flexible manufacturing systems
- logical controller design
- multiprocessor memory systems
- dataflow computing systems
- fault tolerant systems
- ...

54

Introduction

A Petri net is a directed bipartite graph consisting of places P and transitions T .

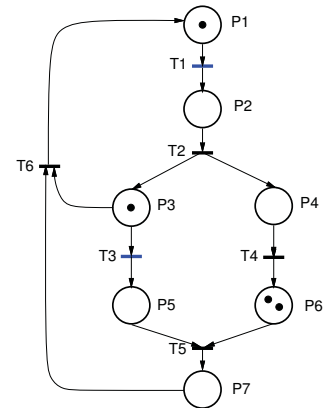
Places are represented by circles.

Transitions are represented by bars (or rectangles)

Places and transitions are connected by arcs.

In a marked Petri net each place contains a cardinal (zero or positive integer) number of tokens or marks.

55



56

Firing rules

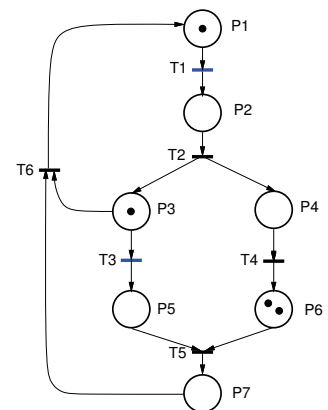
1. A transition t is enabled if each input place contains at least one token.
2. An enabled transition may or may not fire.
3. Firing an enabled transition t means removing one token from each input place of t and adding one token to each output place of t .

The firing of a transition has zero duration.

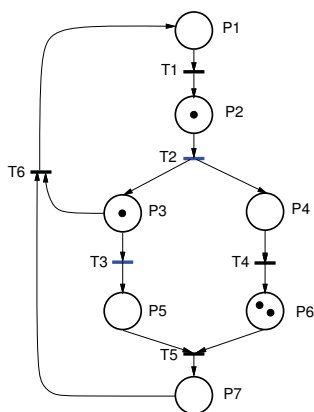
The firing of a sink transition (only input places) only consumes tokens.

The firing of a source transition (only output places) only produces tokens.

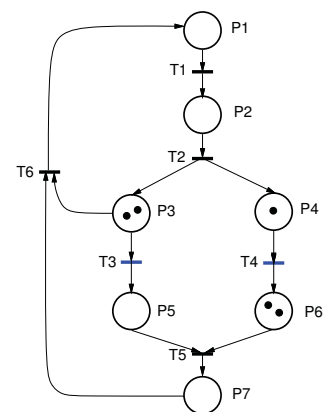
57



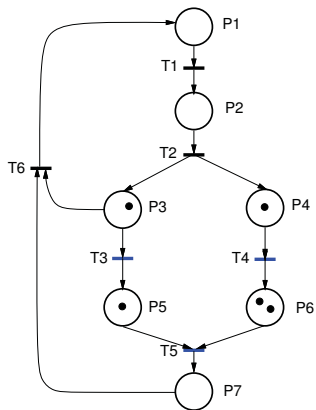
58



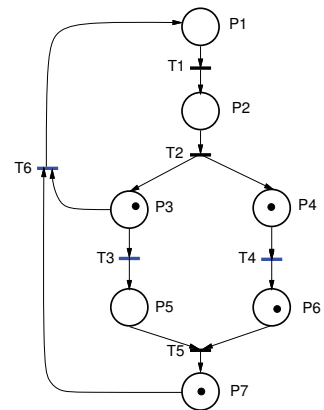
59



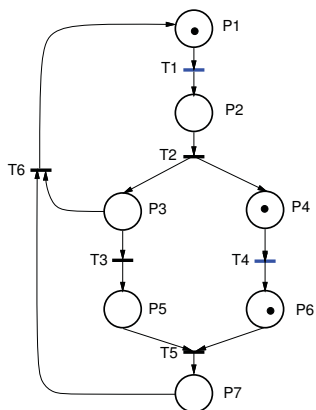
60



61



62



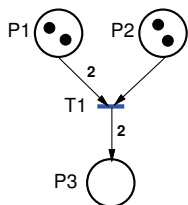
63

Typical interpretations of places and transitions:

Input Places	Transition	Output Places
Preconditions	Event	Postconditions
Input data	Computation step	Output data
Input signals	Signal processor	Output signals
Resources needed	Task or job	Resources needed
Conditions	Clause in logic	Conclusions
Buffers	Processor	Buffers

64

Generalized Petri Nets

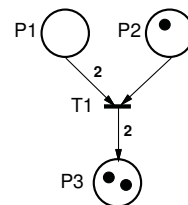


Firing rules:

1. A transition t is enabled if each input place p of t contains at least $w(p, t)$ tokens
2. Firing a transition t means removing $w(p, t)$ tokens from each input place p and adding $w(t, q)$ tokens to each output place q .

65

Generalized Petri Nets



Firing rules:

1. A transition t is enabled if each input place p of t contains at least $w(p, t)$ tokens
2. Firing a transition t means removing $w(p, t)$ tokens from each input place p and adding $w(t, q)$ tokens to each output place q .

66

Petri Net Variants

Timed Petri Nets:

Times associated with transitions or places

High-Level Petri Nets:

Tokens are structured data types (objects)

Continuous & Hybrid Petri Nets:

The markings are real numbers instead of integers

Mixed continuous/discrete systems

67

Analysis

Properties:

- **Live:** No transitions can become unfireable.
- **Deadlock-free:** Transitions can always be fired
- **Bounded:** Finite number of tokens
- ...

68

Analysis

Analysis methods:

- **Reachability methods**
 - exhaustive enumeration of all possible markings
- **Linear algebra methods**
 - describe the dynamic behaviour as matrix equations
- **Reduction methods**
 - transformation rules that reduce the net to a simpler net while preserving the properties of interest

69

The classical real-time problems

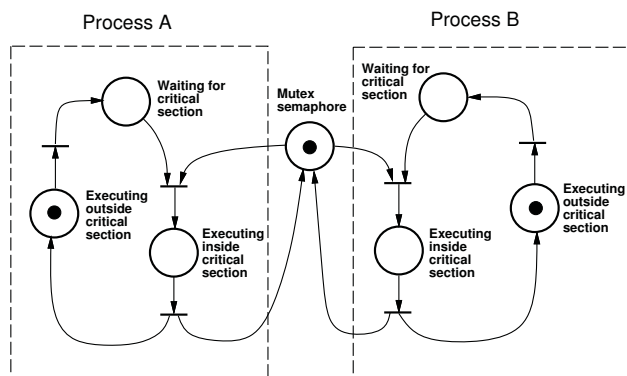
Dijkstra's classical problems

- mutual exclusion problem
- producer-consumer problem
- readers-writers problem
- dining philosophers problem

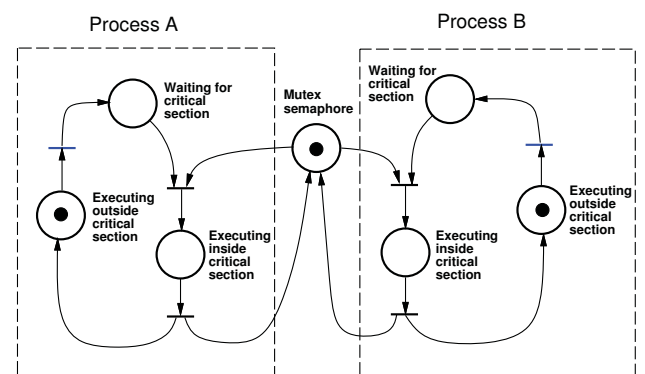
All can be modeled by Petri Nets.

70

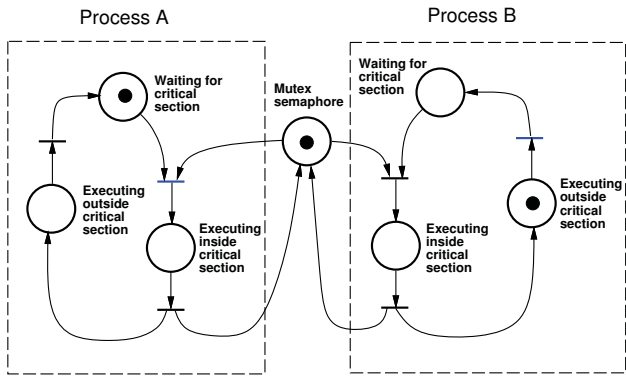
Mutual Exclusion



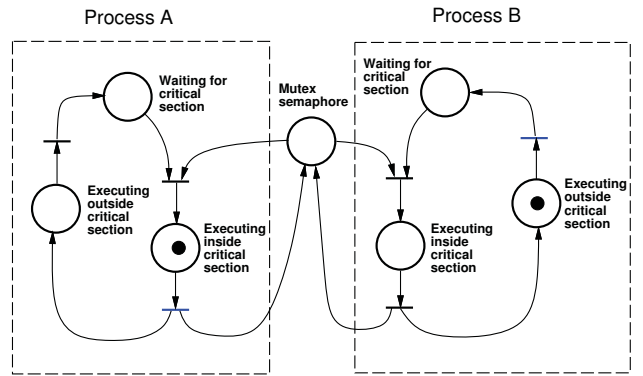
71



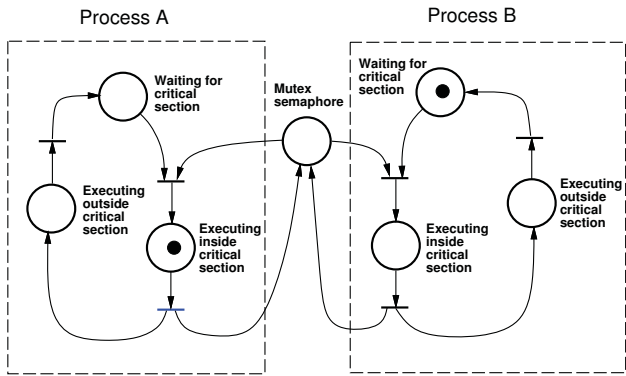
72



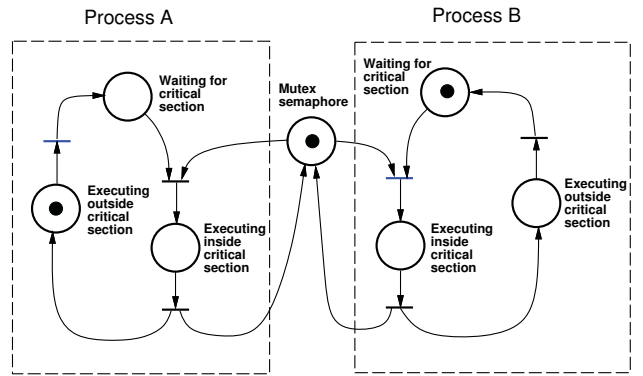
73



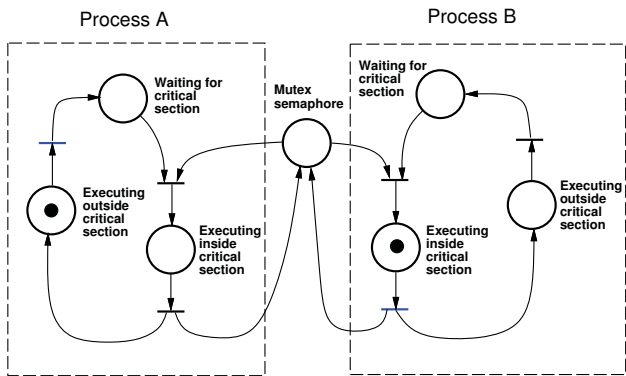
74



75



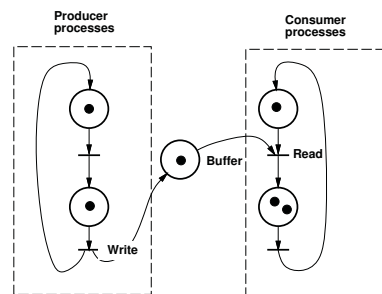
76



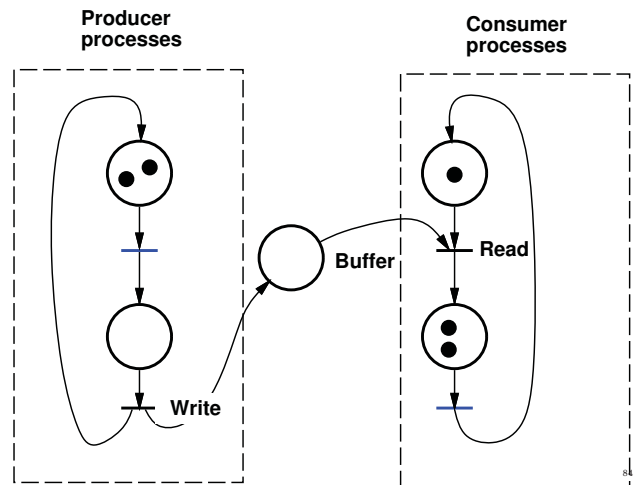
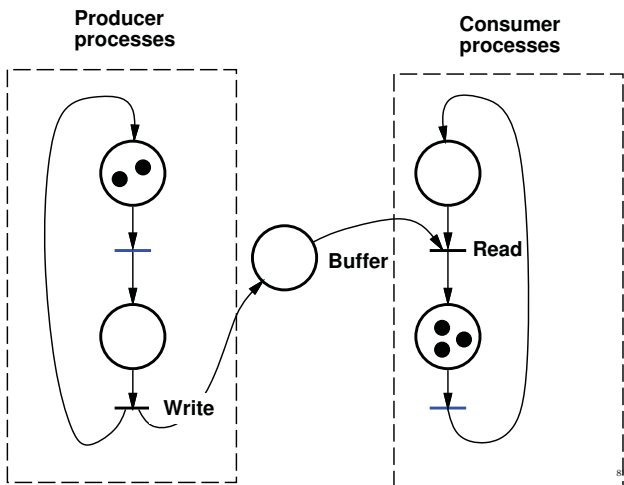
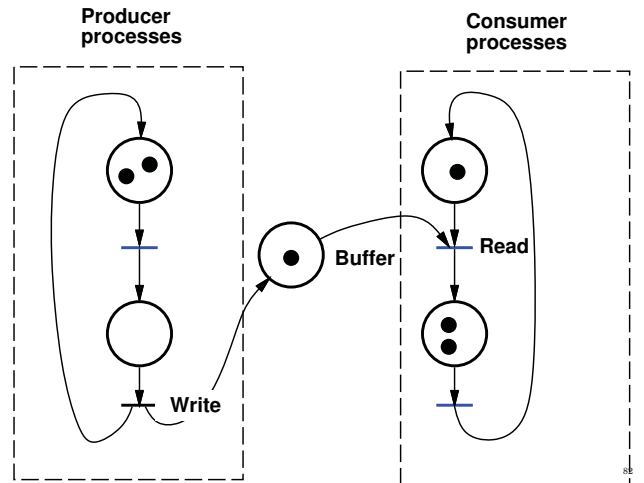
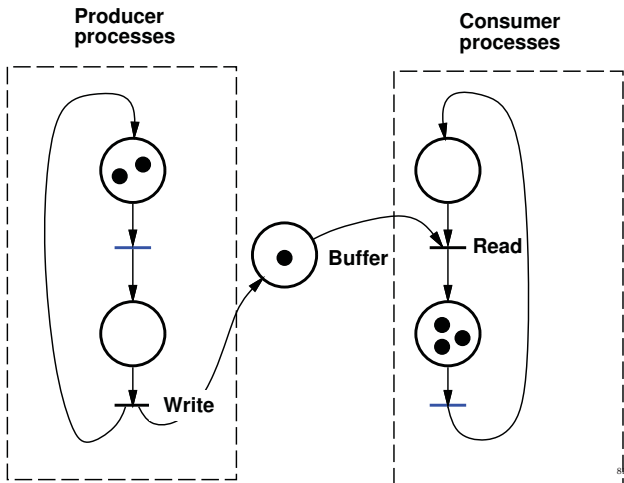
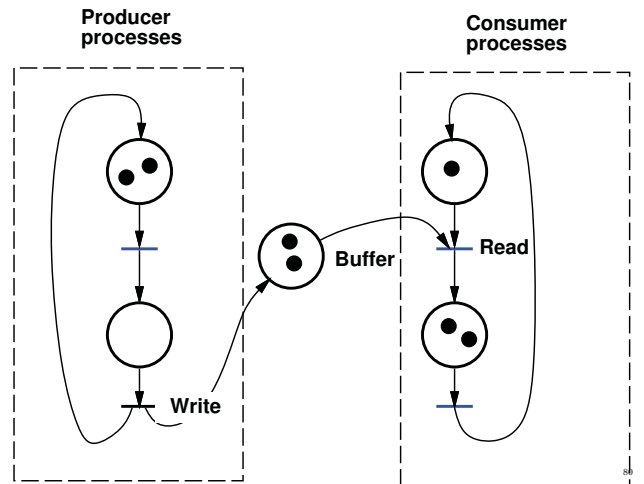
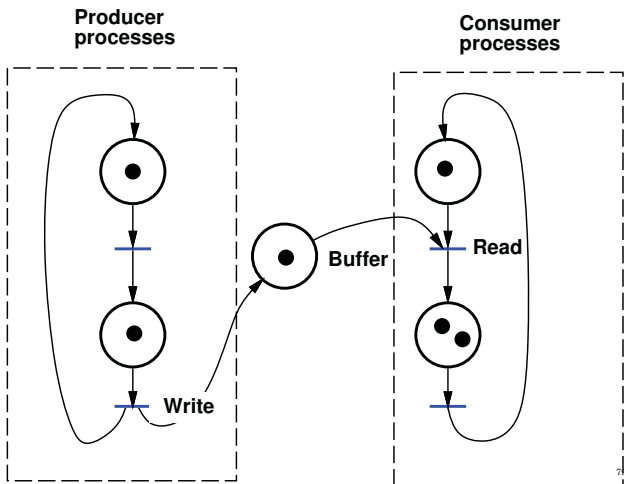
77

Producer-Consumer

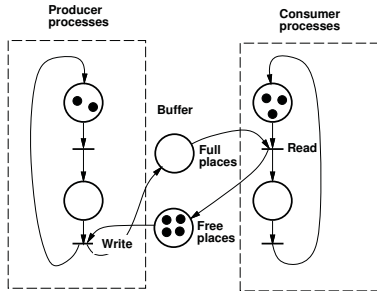
Unbounded buffer:



78



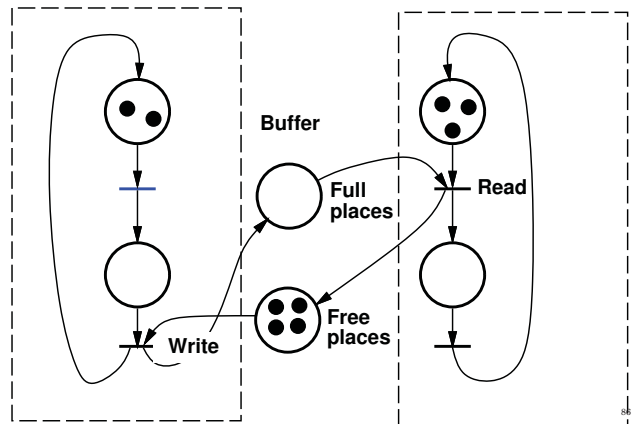
Bounded buffer:



85

Producer processes

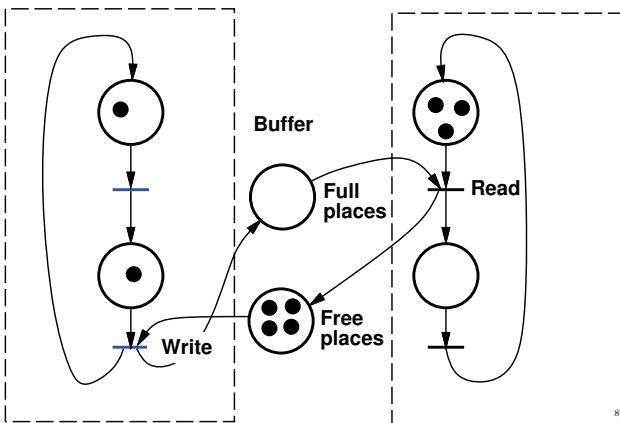
Consumer processes



86

Producer processes

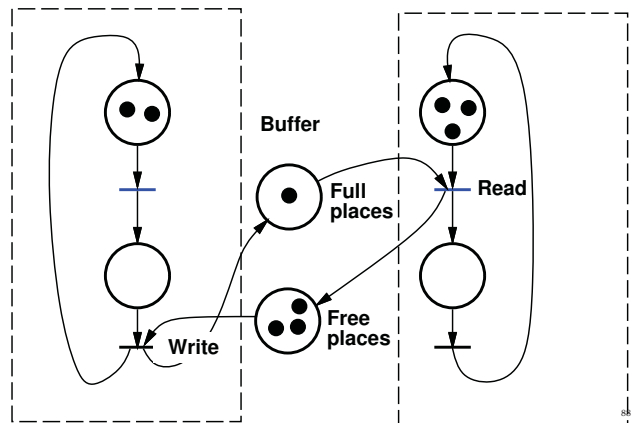
Consumer processes



87

Producer processes

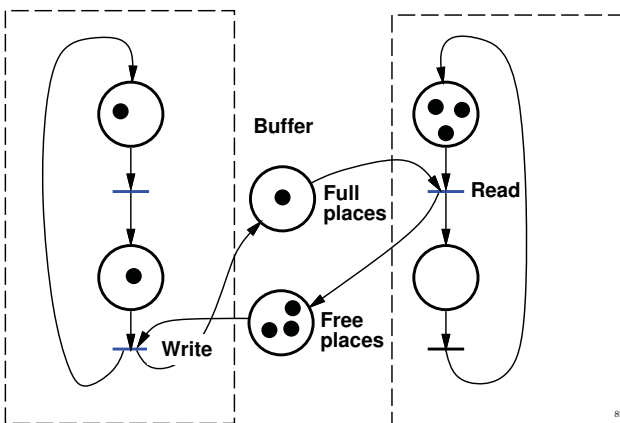
Consumer processes



88

Producer processes

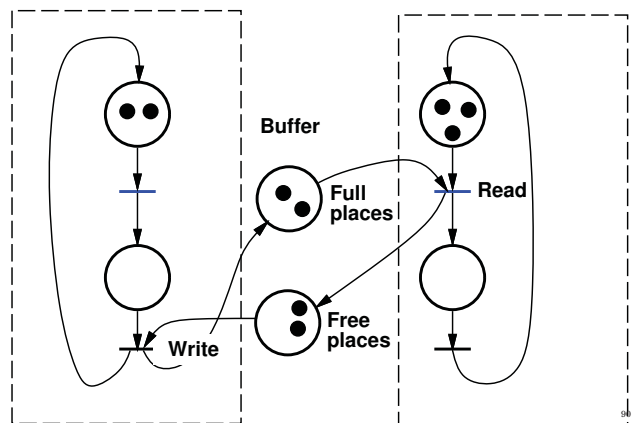
Consumer processes



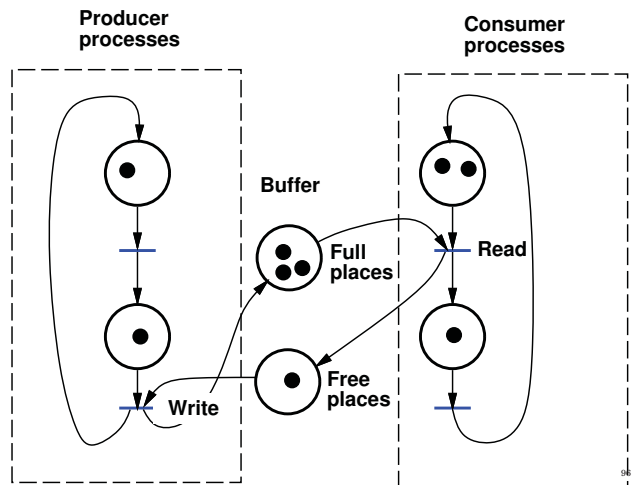
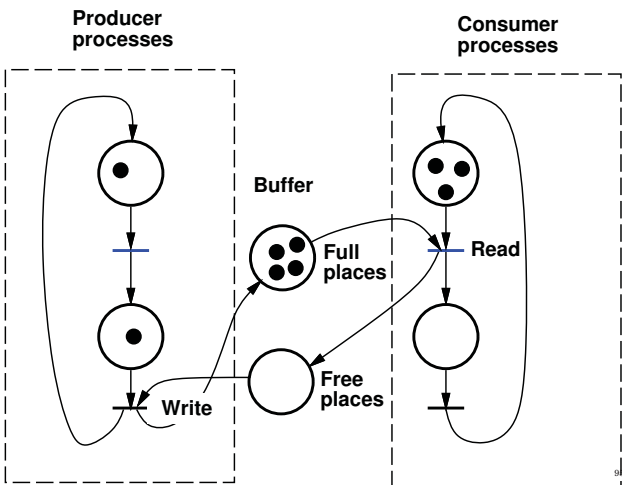
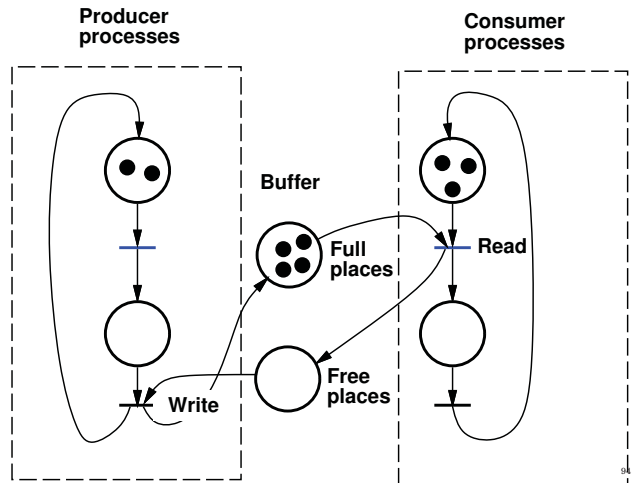
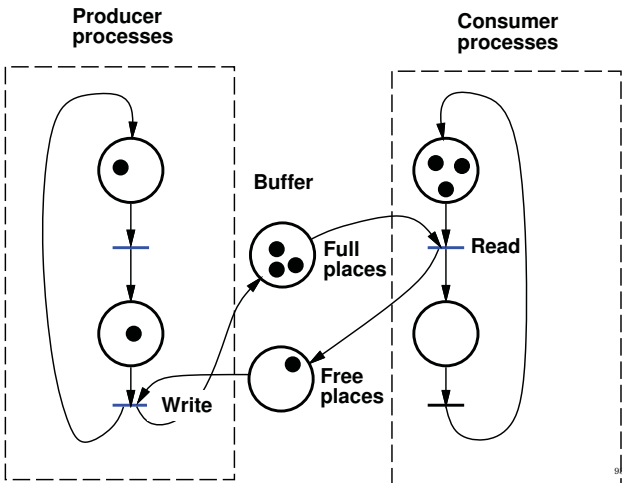
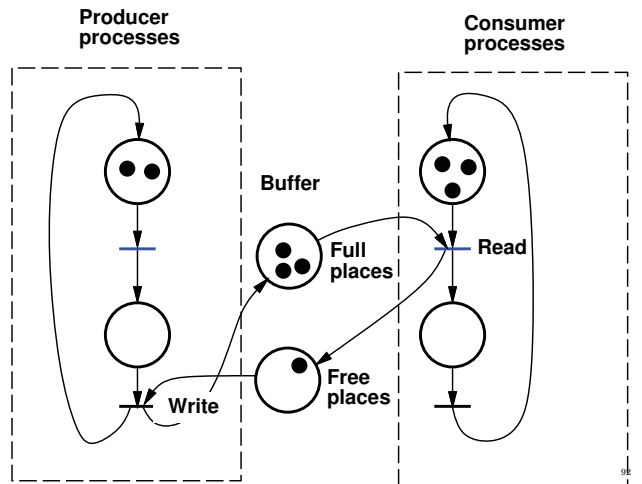
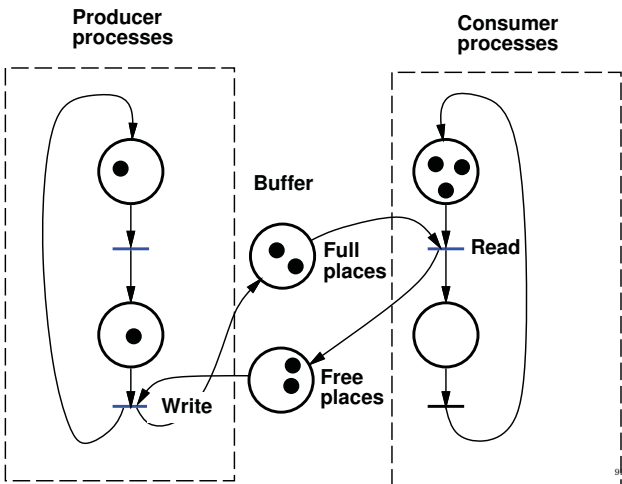
89

Producer processes

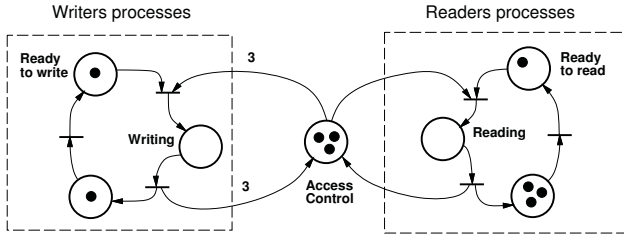
Consumer processes



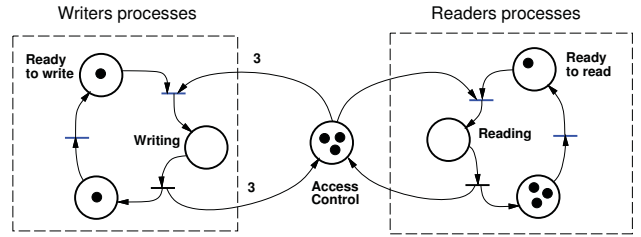
90



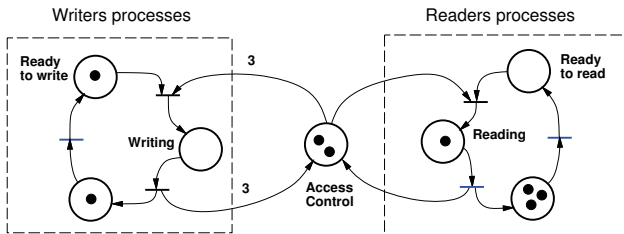
Readers-Writers



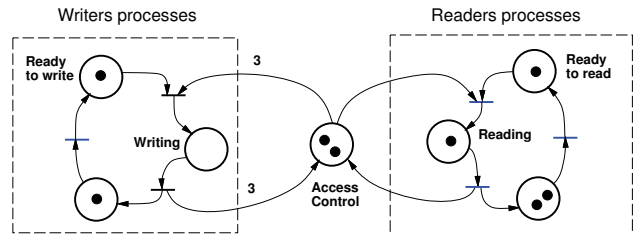
97



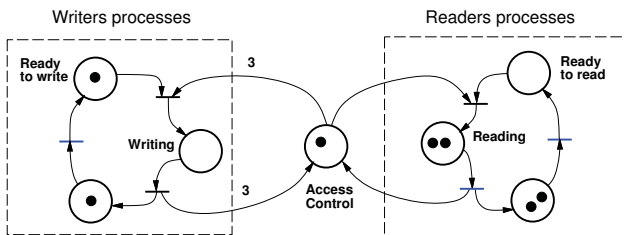
98



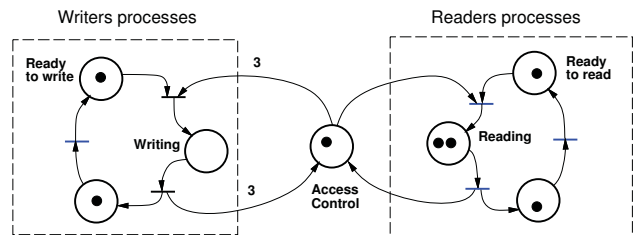
99



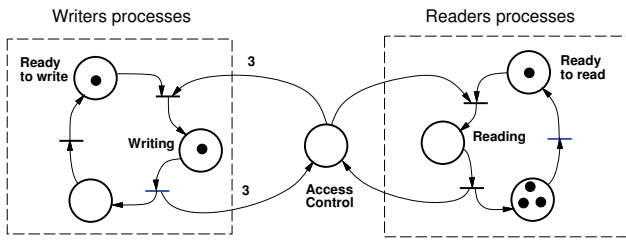
100



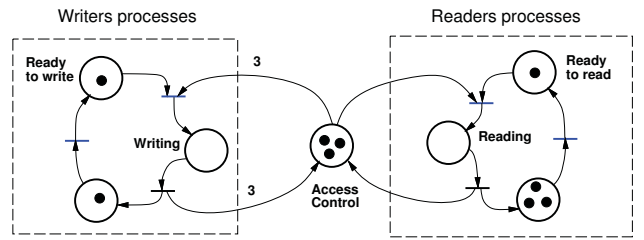
101



102

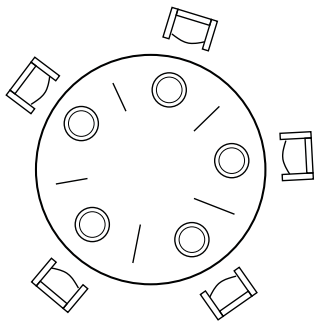


109

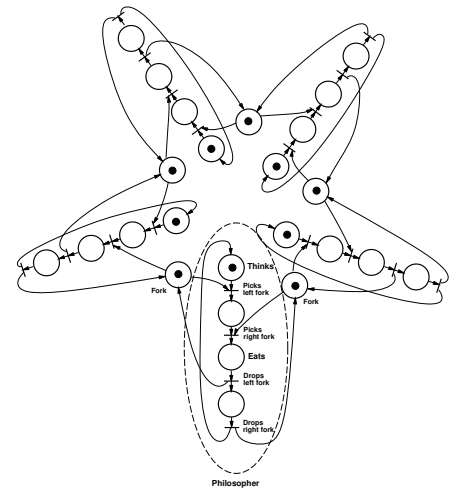


110

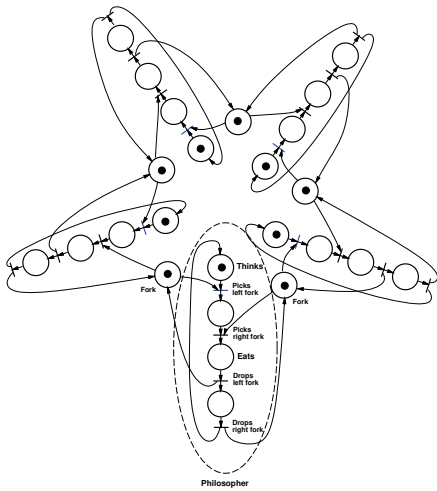
Dining Philosophers



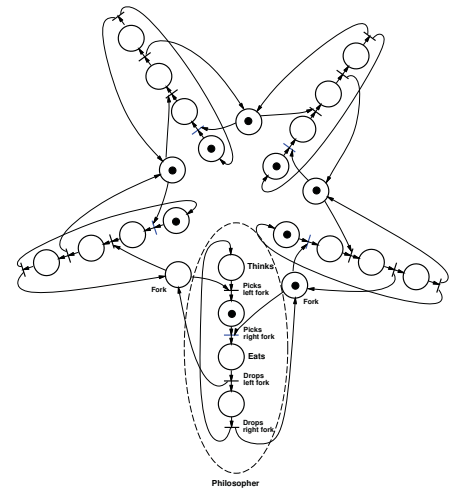
111



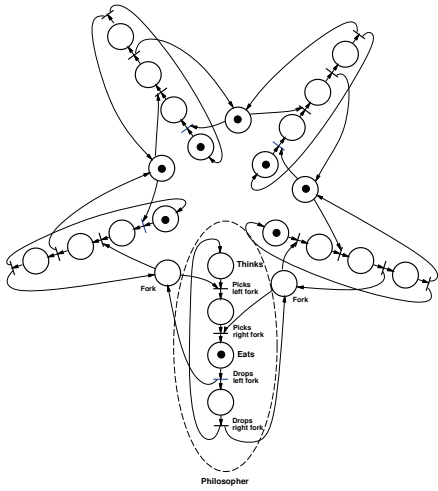
112



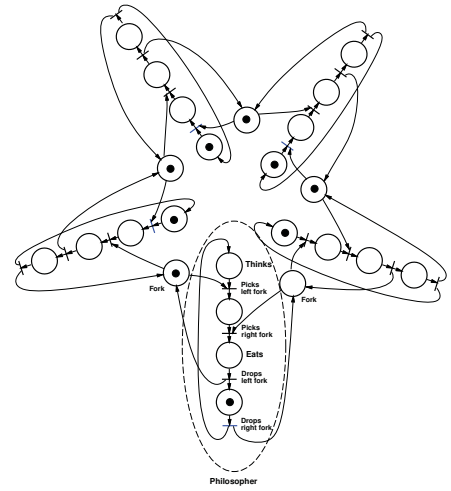
113



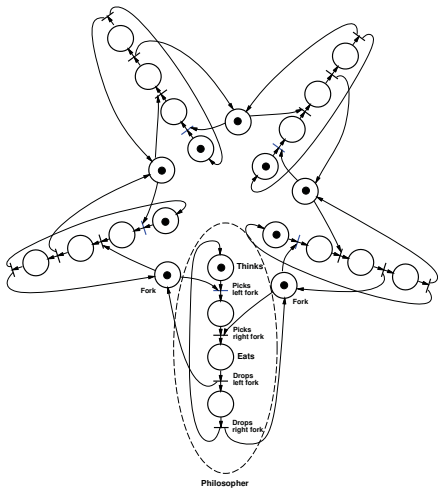
114



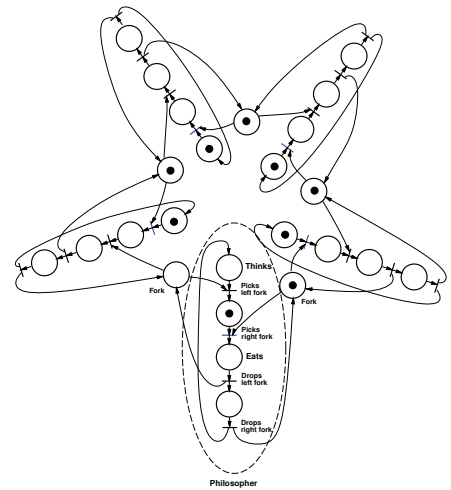
115



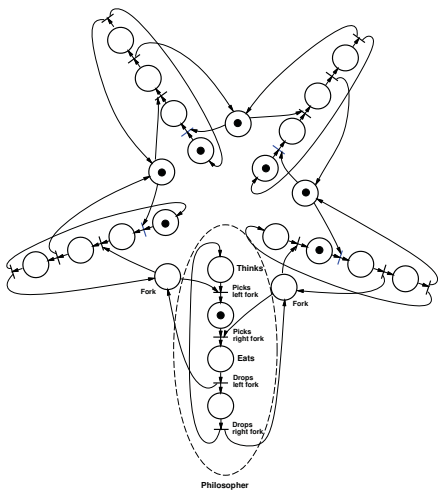
116



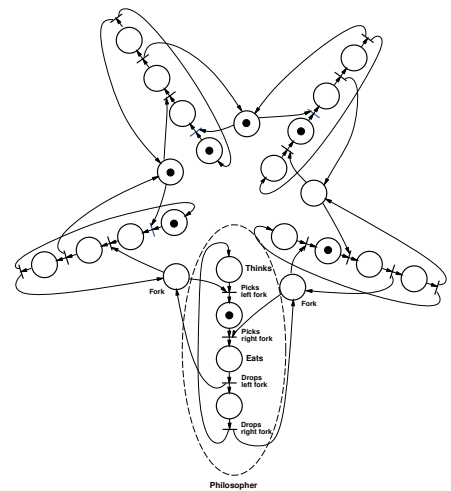
117



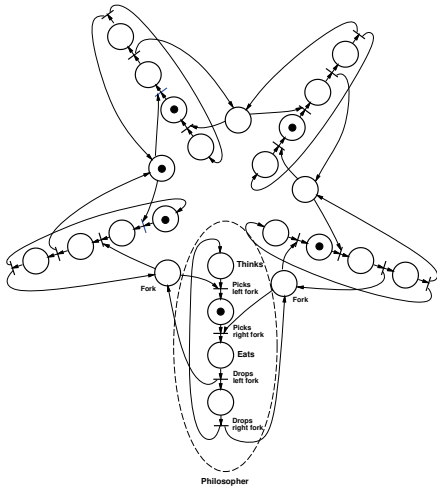
118



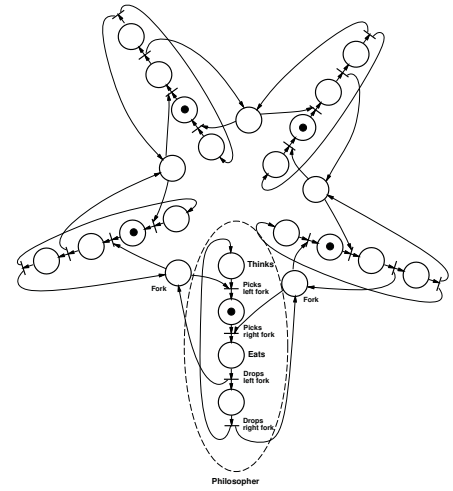
119



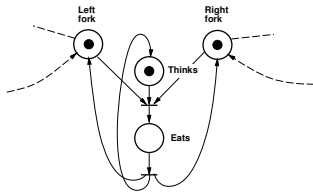
120



121



122



123

- Discrete Event Systems
- State Machine-Based Formalisms
- Statecharts
- Grafcet
- Laboratory 2
- Petri Nets
- **Implementation**
 - Not covered in the lecture. Homework.

124

Coding State Machines

Using state machines is often a good way to structure code.

Systematic ways to write automata code often not taught in programming courses.

Issues:

- active or passive object
- Mealy vs Moore machines
- states with timeout events
- states with periodic activities

Often convenient to implement state machines as periodic processes with a period that is determined by the shortest time required when making a state transition.

125

Example: Passive state machine

The state machine is implemented as a synchronized object

```
public class PassiveMealyMachine {

    private static final int STATE0 = 0;
    private static final int STATE1 = 1;
    private static final int STATE2 = 2;
    private static final int INA = 0;
    private static final int INB = 1;
    private static final int INC = 2;
    private static final int OUTA = 0;
    private static final int OUTB = 1;
    private static final int OUTC = 2;

    private int state;

    PassiveMealyMachine() {
        state = STATE0;
    }

    private void generateEvent(int outEvent) {
        // Do something
    }
}
```

126

```

public synchronized void inputEvent(int event) {

switch (state) {
case STATE0 : switch (event) {
case INA : generateEvent(OUTA);
state = STATE1;
break;
case INB : generateEvent(OUTB);
break;
default : break;
}; break;
case STATE1 : switch (event) {
case INC : generateEvent(OUTC);
state = STATE2;
break;
default : break;
}; break;
case STATE2 : switch (event) {
case INA : generateEvent(OUTB);
state = STATE0;
break;
case INC : generateEvent(OUTC);
break;
default : break;
}; break;
}
}
}

```

127

Active State Machines

The state machine could also be implemented as an active object (thread)

The thread object would typically contain an event-buffer (e.g., an RTEventBuffer).

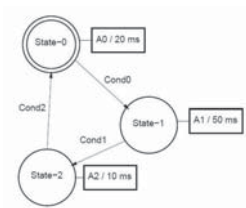
The run method would consist of an infinite loop that waits for an incoming event (RTEvent) and switches state depending on the event.

128

Example: Active state machine 1

An activity is an action that is executed periodically while a state is active.

More natural to implement the state machine as a thread.



129

```

public class ActiveMachine1 extends Thread {

private static final int STATE0 = 0;
private static final int STATE1 = 1;
private static final int STATE2 = 2;
private int state;

ActiveMachine1() {
state = STATE0;
}

private boolean cond0() {
// Returns true if condition 0 is true
}
private boolean cond1() {
}
private boolean cond2() {
}

private void action0() {
// Executes action 0
}
private void action1() {
}
private void action2() {
}
}

```

130

```

public void run() {
long t = System.currentTimeMillis();
long duration;

while (true) {
switch (state) {
case STATE0 : {
action0();
t = t + 20;
duration = t - System.currentTimeMillis();
if (duration > 0) {
try {
sleep(duration);
} catch (InterruptedException e) {}
}
if (cond0()) {state = STATE1;}
} break;
case STATE1 : {
// Similar as for STATE0. Executes action1, waits for 50 ms, checks
// cond1 and then changes to STATE2
}; break;
case STATE2 : {
// Similar as for STATE0. Executes action2, waits for 10 ms, checks
// cond2 and then changes to STATE0
}; break;
}
}
}
}
}

```

131

Comments

- Conditions tested at a frequency determined by the activity frequencies of the different states.
- `sleep()` spread out in the code

132

Example: Active state machine 2

The thread runs at a constant (high) base frequency.
Activity frequencies multiples of the base frequency.
Conditions tested at the base frequency.

133

```
public void run() {
    long t = System.currentTimeMillis();
    long duration;
    int counter = 0;
    while (true) {
        counter++;
        switch (state) {
            case STATE0 : {
                if (counter == 4) { counter = 0; action0();
                }
                if (cond0()) { counter = 0; state = STATE1;
                }
            }; break;
            case STATE1 : {
                // Similar as for STATE0. Executes action1 if counter == 10. Changes to STATE2 if con
                }; break;
            case STATE2 : {
                // Similar as for STATE0. Executes action2 if counter == 12. Changes to STATE0 if con
                }; break;
        }
        t = t + 5; // Base sampling time
        duration = t - System.currentTimeMillis();
        if (duration > 0) {
            try {
                sleep(duration);
            } catch (InterruptedException e) {}
        }
    }
}
```

134

Comments

- Polled time handling
- Complicated handling of counter
- Conditions tested at a high rate

135